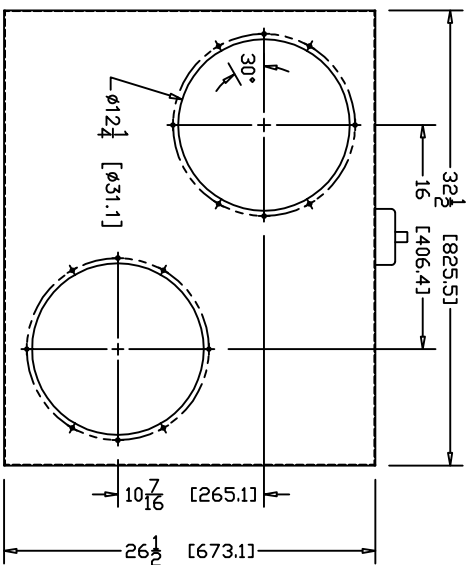
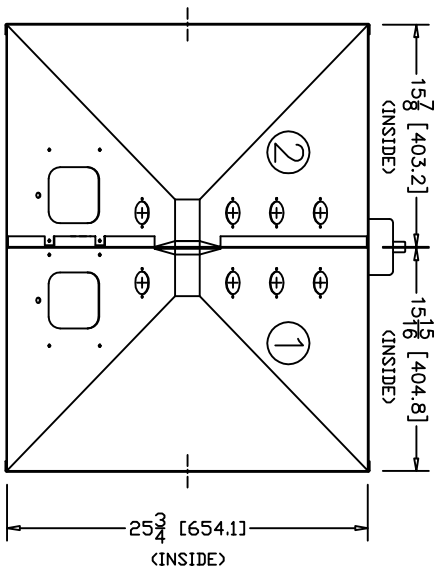


WSB 220 LID TOP VIEW

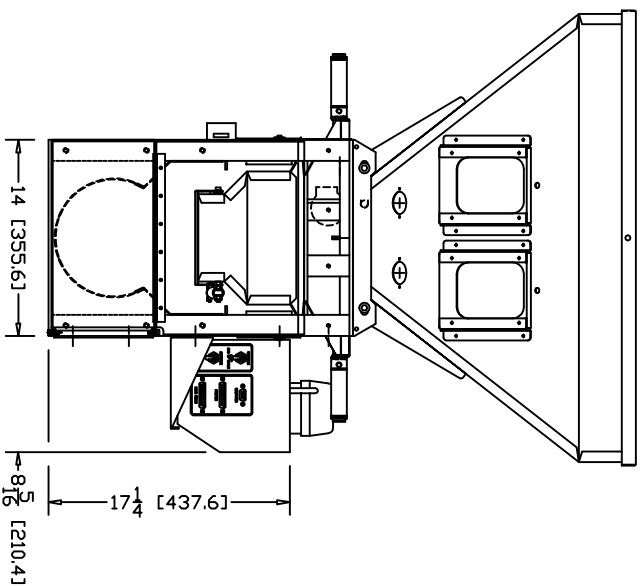


WSB 220 HOPPER TOP VIEW

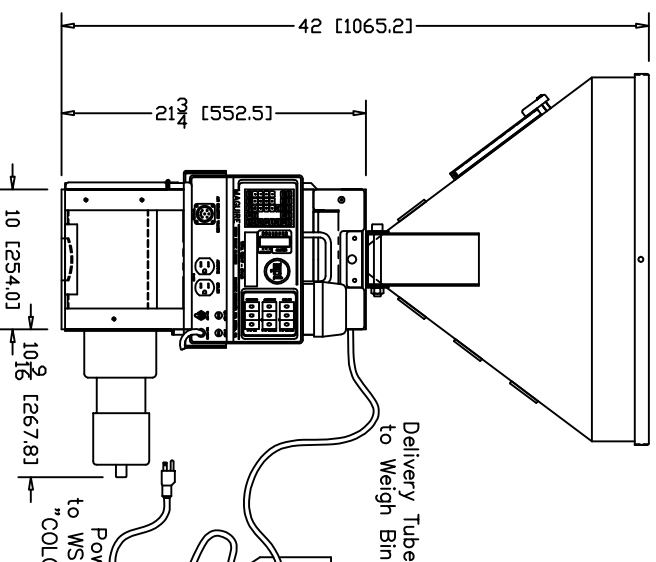


NOTE:  
EACH COMPARTMENT IS  
APPROX. 1.5 CU. FT.  
[42 LITRES]

WSB 220 FRONT VIEW

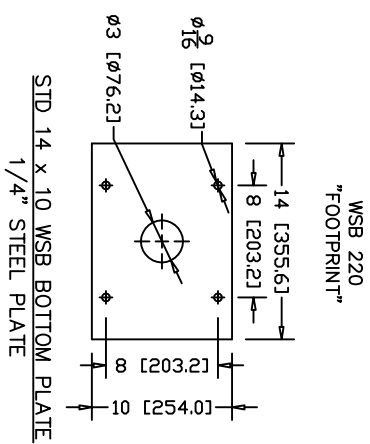


WSB 220 SIDE VIEW

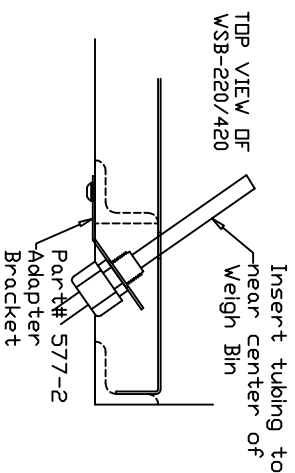


Delivery Tube  
to Weigh Bin

Transfer Tube  
from Color Container



STD 14 x 10 WSB BOTTOM PLATE  
1/4" STEEL PLATE



TDP VIEW OF  
WSB-220/420

Insert tubing to  
near center of  
weigh bin

Part #  
577-2  
Adapter  
Bracket

BACK (MOTOR) SIDE  
OF WSB-220/420

Liquid Color Adapter  
Arrangement

		Model WSB-221 with AWL Liquid Color Add-On	
11 Ozonville Road, Aston, PA 19014 Tel: (800) 488-2412 Fax: (800) 488-2700 http://www.maguire.com		DRAWN BY: CGC	DATE DRAWN: 4/28/99
		MATE:	DATE CHANGED: