



FOR OPTICAL
APPLICATION



The new VISMEC Dust Remover is a device which removes dust from the plastic resin by using static electricity and guarantees a perfect quality on the final product.

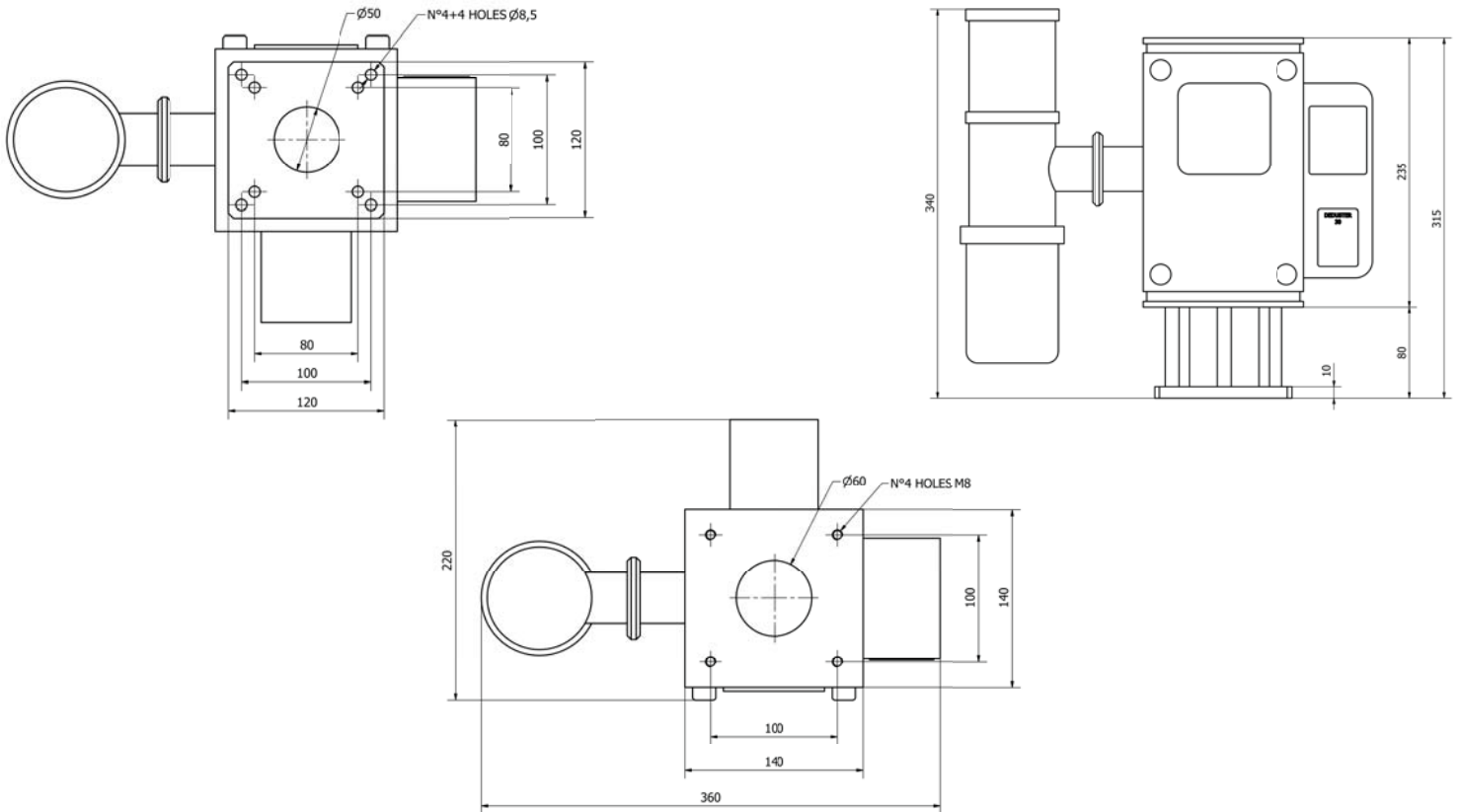
This is an innovative close loop system with which dust and contaminates stick on the electrostatic charged drum removing them from the virgin resin. Before hand an ionizer removes the electrostatic left on the virgin material allowing the separation to take place. Dust doesn't polymerize therefore if present creates impurity spots on the product. This Vismec dust remover is therefore a must have for high tech and quality production and perfect for lens, medical and high precision applications.

Main features

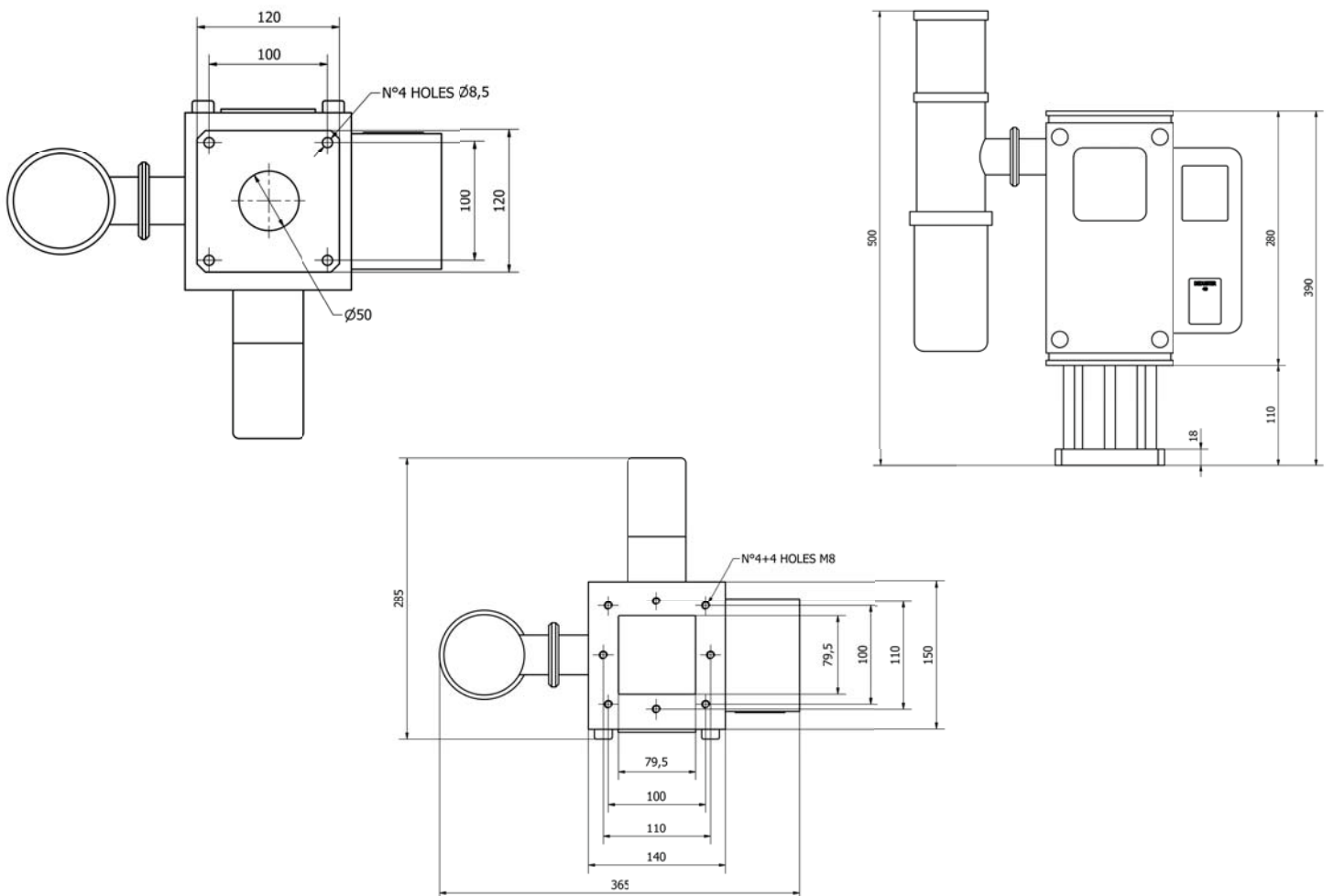
- Closed design maintain the temperature of resin.
- No compressed air on resin, no effect of humidity.
- Not material loss, only dust.
- Speed control.
- Sight glass allows good visibility of the working conditions.
- Cartridge discharge filter.
- Only a small compressed air requirement to detach dust from the roller.



Dimensions DR30

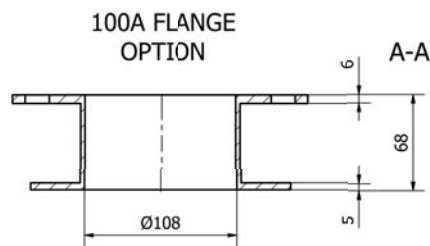
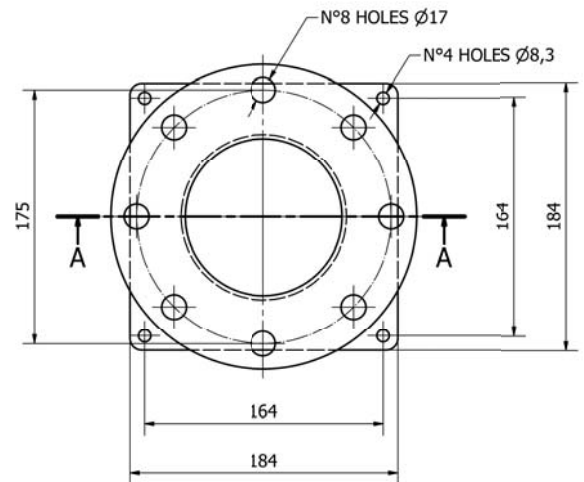
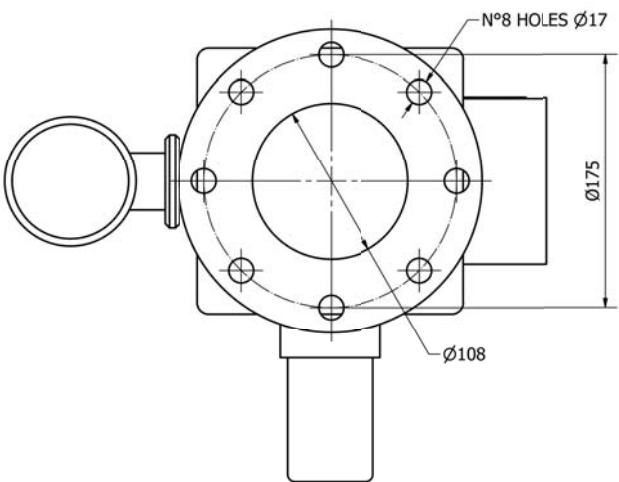
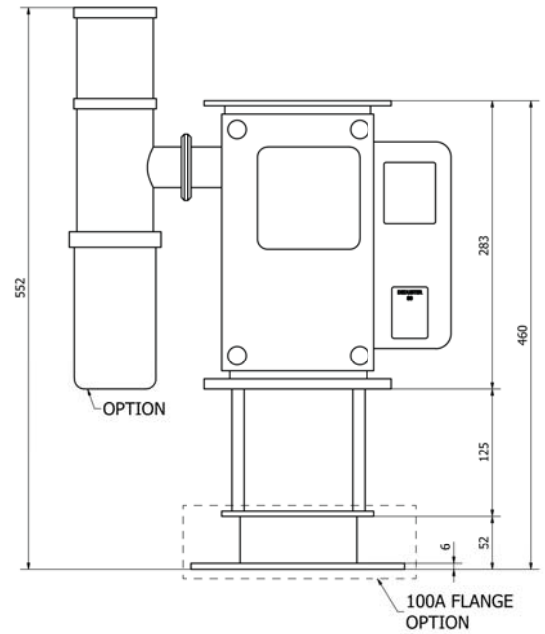
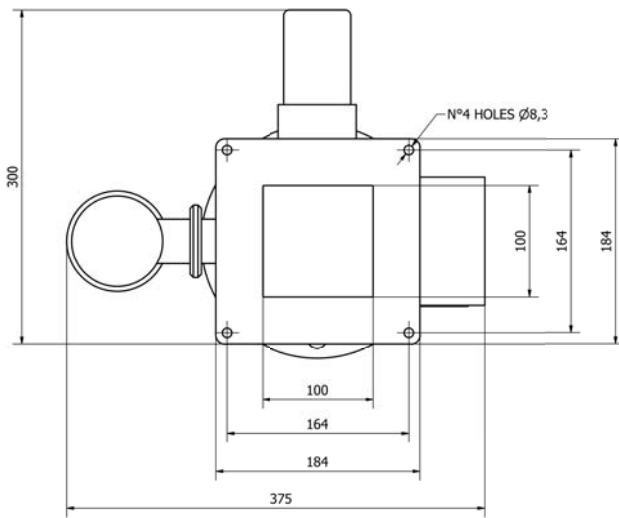


Dimensions DR40





Dimensions DR100





Technical specifications

Model	Code	Capacity	Dust removing rate	Power (Consumption)	Air consumption (bar)
DR 30	03296	40 kg/h (max)	80~95%	220 V (20W)	20~30 Liter/min. (4~6 bar)
DR 40	03297	80 kg/h (max)	80~95%	220 V (20W)	20~30 Liter/min. (4~6 bar)
DR 100	03298	100 kg/h (max)	80~95%	220 V (20W)	20~30 Liter/min. (4~6 bar)

Model	Code	Fixing upper holes	Fixing lower holes	Weight	Regrind
DR 30	03296	4 x M8	8 x M8,5	5 kg	NO
DR 40	03297	8 x M8	4 x M8,5	6 kg	YES
DR 100	03298	4 x M8,3	4 x M8,3	8 kg	YES

Application examples

